

**Modular Cooking Range Line
EVO700 4-Hot Square Plates
Electric Boiling Top Range on
Electric Oven**

ITEM # _____

MODEL # _____

NAME # _____

SIS # _____

AIA # _____

**372018 (Z7ECEH4QE0)**

4-hot square plate (2,6 kW each) electric range on electric oven (6 kW)

372129 (Z7ECEH4QEN)

4-hot square plate (2,6 kW each) electric range on electric oven (6 kW)

Short Form Specification**Item No.** _____

To be installed on stainless steel feet with height adjustment up to 50 mm. Four 2.6 kW square cast-iron hot plates hermetically sealed to the one-piece top. Stainless steel oven chamber with 3 levels of runners to accommodate 2/1 GN shelves (2 steam pans). Ribbed oven base plate. Exterior panels in stainless steel with Scotch Brite finish. One piece pressed work top in 1.5 mm thick stainless steel. Right-angled side edges to allow flush-fitting junction between units.

Main Features

- The four 2.6kW cast-iron square plates are hermetically sealed to the one-piece top.
- Base compartment consists of an electric standard oven with thick oven door for heat insulation, positioned beneath the base plate.
- Electric oven to have separate thermostats for top and bottom heating elements.
- Stainless steel oven chamber with 3 levels of runners to accommodate 2/1 GN shelves (2 steam pans).
- Ribbed enamelled steel oven base plate.
- The special design of the control knob system guarantees against water infiltration.
- IPx4 water protection.
- Oven thermostat adjustable from 100 °C to 300 °C.

Construction

- All exterior panels in Stainless Steel with Scotch Brite finishing.
- One piece pressed 1.5 mm work top in Stainless steel.
- Model has right-angled side edges to allow flush fitting joints between units, eliminating gaps and possible dirt traps.

APPROVAL: _____

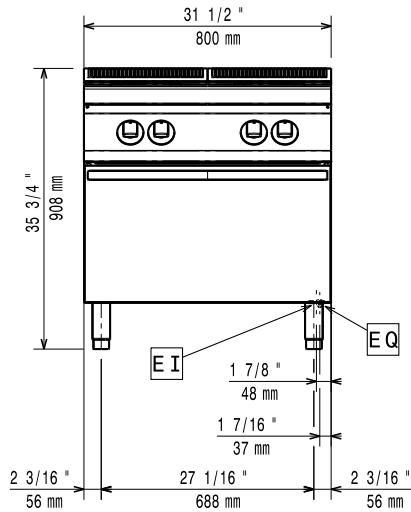
Included Accessories

- 1 of GN2/1 chrome grid for static oven PNC 164250

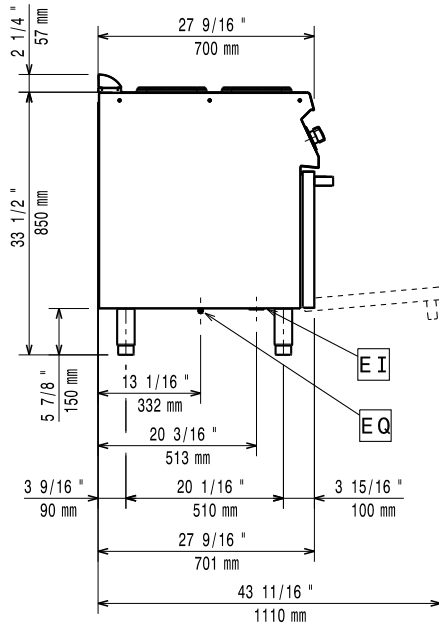
Optional Accessories

- GN2/1 chrome grid for static oven PNC 164250
- Junction sealing kit PNC 206086
- 4 wheels, 2 swivelling with brake (EVO700/900). It is mandatory to install with base supports for feet/wheels. PNC 206135
- Flanged feet kit PNC 206136
- Frontal kicking strip for concrete installation, 800 mm PNC 206148
- Frontal kicking strip for concrete installation, 1000 mm PNC 206150
- Frontal kicking strip for concrete installation, 1200 mm PNC 206151
- Frontal kicking strip for concrete installation, 1600 mm PNC 206152
- Frontal handrail 800 mm PNC 206167
- 2 cast iron plate bars for electric cooking top (only for 372018) PNC 206168
- Frontal kicking strip, 800 mm PNC 206176
- Frontal kicking strip, 1000 mm PNC 206177
- Frontal kicking strip, 1200 mm PNC 206178
- Frontal kicking strip, 1600 mm PNC 206179
- Large handrail (portioning shelf) 800 mm PNC 206186
- Frontal handrail 1200 mm PNC 206191
- Frontal handrail 1600 mm PNC 206192
- 4 feet for concrete installation (not for 900 line freestanding grill) PNC 206210
- Right and left side handrails PNC 206240
- Pair of side kicking strips PNC 206249
- Pair of side kicking strips (concrete installation) PNC 206265
- Water column with swivel arm (water column extension not included) PNC 206289
- Water column extension PNC 206291
- Chimney upstand, 800 mm PNC 206304
- 2 side covering panels, height 700 mm, depth 700 mm PNC 206319
- Base support for feet or wheels - 800mm (EVO700/900) PNC 206367
- Base support for feet or wheels - 1200mm (EVO700/EVO900) PNC 206368
- Base support for feet or wheels - 1600mm (EVO700/900) PNC 206369
- Rear paneling - 800mm (EVO700/900) PNC 206374
- Rear paneling - 1000mm (EVO700/900) PNC 206375
- Rear paneling - 1200mm (EVO700/900) PNC 206376
- Chimney grid net, 400mm PNC 206400

Front



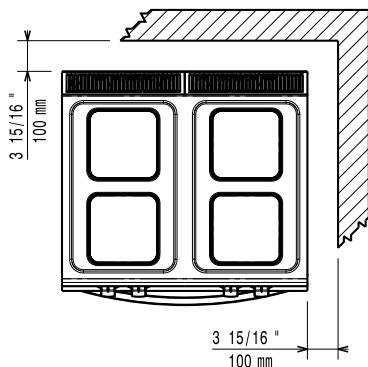
Side



EI = Electrical inlet (power)

EQ = Equipotential screw

Top



Electric

Supply voltage:

372018 (Z7ECEH4QE0) 380-400 V/3 ph/50-60 Hz

372129 (Z7ECEH4QEN) 230 V/3 ph/50/60 Hz

Predisposed for:

Total Watts: 16.4 kW

Key Information:

If appliance is set up or next to or against temperature sensitive furniture or similar, a safety gap of approximately 150 mm should be maintained or some form of heat insulation fitted.

Oven working Temperature: 100 °C MIN; 300 °C MAX

Oven Cavity Dimensions (width): 540 mm

Oven Cavity Dimensions (height): 300 mm

Oven Cavity Dimensions (depth): 650 mm

Net weight: 80 kg

Shipping weight:

372018 (Z7ECEH4QE0) 102 kg

372129 (Z7ECEH4QEN) 95 kg

Shipping height:

372018 (Z7ECEH4QE0) 1090 mm

372129 (Z7ECEH4QEN) 1140 mm

Shipping width: 820 mm

Shipping depth: 860 mm

Shipping volume:

372018 (Z7ECEH4QE0) 0.77 m³

372129 (Z7ECEH4QEN) 0.8 m³

Certification group:

372018 (Z7ECEH4QE0) EH740

372129 (Z7ECEH4QEN) N7CE1

Front Plates Power: 2.6 - 2.6 kW

Back Plates Power: 2.6 - 2.6 kW

Front Plates dimensions: 230x230 230x230

Back Plates dimensions: 230x230 230x230